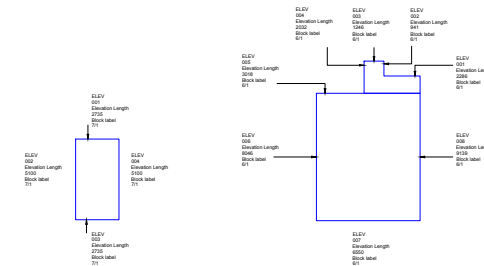
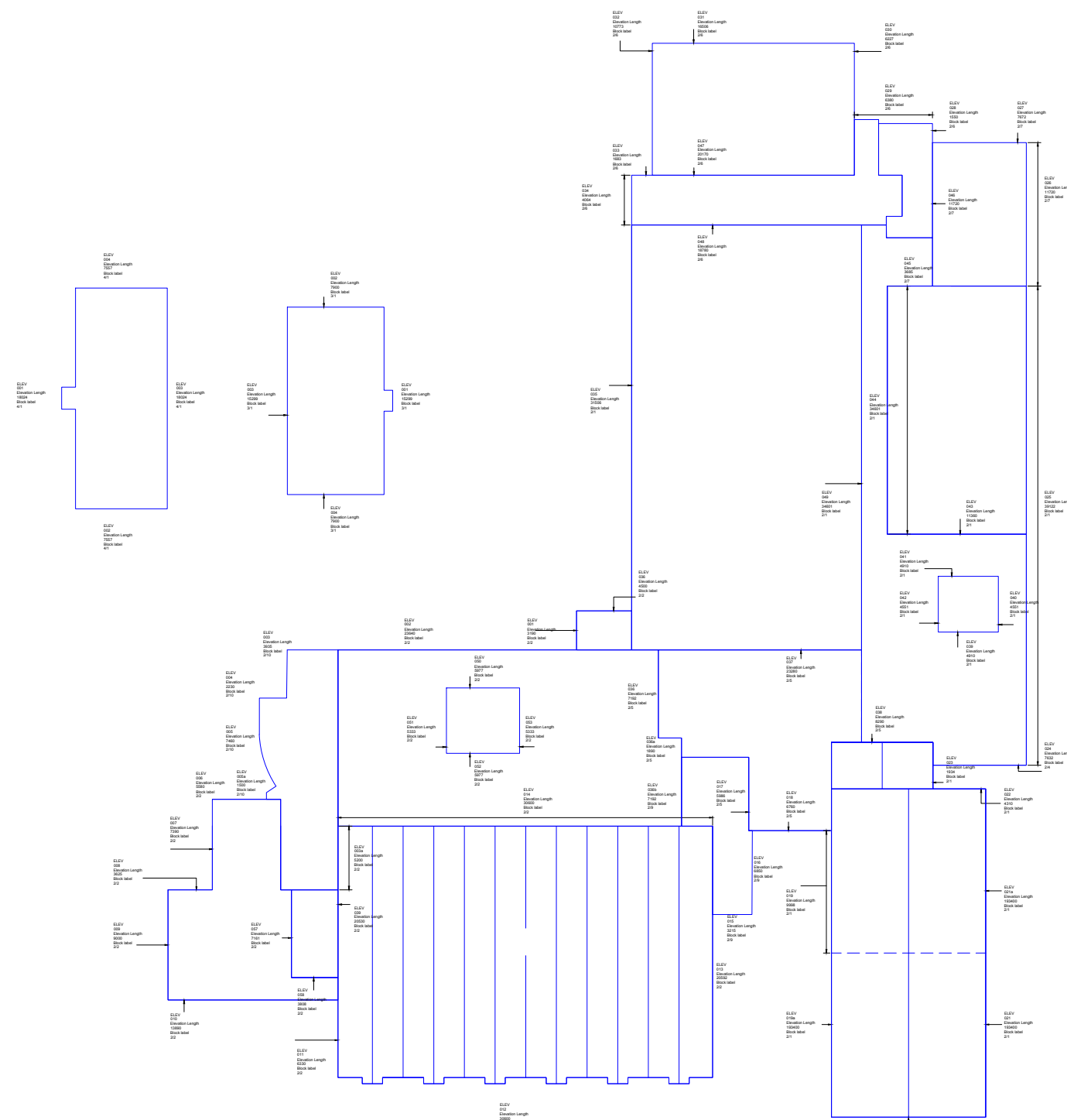
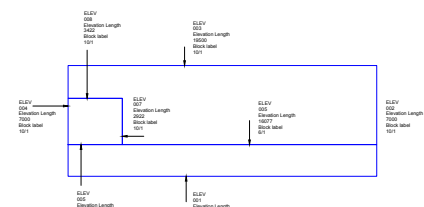


Please note that the building proximity is not always diagrammatically accurate - Please refer to location plan.



Rev	Revision note	Date	Signature	Checked
A	WORKING Initial Tribal drawing	03/01/03	JC	
B	WORKING Put into new template	27/07/05	LAD	
C	WORKING Revised as surveyors report 04/07/05	27/07/05	LAD	
D	WORKING Amended as ROV dated 27/07/09	11/06/09	DJP	XXX
E	WORKING Updated room uses as Net Capacity information	15/03/10	DJP	XXX
F	WORKING Updated as Asbestos survey	15/03/10	DJP	XXX
G	WORKING Added G0083a store, G0053a store. Removed G0039	14/04/10	DJP	XXX
H	WORKING Updated as Asbestos survey	20/04/10	DJP	XXX
I	WORKING Updated as S Boulton survey	27/05/11	DJP	XXX
J	WORKING Updated following Asbestos survey	18/10/12	DJP	XXX
K	WORKING Updated block references to match core	14/02/13	DJP	XXX
L	WORKING Block amended to match Core	10/03/14	AF	XXX
M	WORKING Updated following Asbestos Survey Extensions to BLD 2	28/1/15	AF	XXX
N	WORKING 1/17 G0019 split to create G0016b & 16c	08/01/16	AF	XXX
O	WORKING 2/10 G0094 Lobby Added. 2/7 G0074a merged with G0074. G0080a merged with G0080. 1/12 G0048b Workshop added. 1/10 F0015 & 16 merged - now F0016 Office. F0029 31a & 31b merged - now F0029 ICT.	15/07/16	AF	XXX

This product includes mapping data licensed from Ordnance Survey with the permission of the Controller of Her Majesty's Stationery Office (C) Crown Copyright. All rights reserved. Licence Number 100019422.



LOCATION PLAN (Scale-NTS)

Staffordshire County Council

Finance & Resources Strategic Property Unit
Staffordshire County Council, 1 Staffordshire Place
Stafford ST16 2LP

School Name
The Friary School
Address
Eastern Avenue, Lichfield WS13 7EW

Dwg. Title
Elevations Layout

Filename
T:\Staffordshire

Drawn by
AF

Checked by
AF

Floor Level
Block
XXX

Date
15/07/16

DRES No.
4126

Scale (NTS when printed on other size sheets)
Sheet A0 = 1:100 Sheet A2 = 1:200

Drawing No.
4126_9

Rev.
0

Sheet
9 of 11